



MODEL:DF-090

Description: The faucet is made of brass casting, grinding and polishing the surface after molding chrome plating, its scope of application: home kitchens, laboratories, centralized water supply points.

一. Constitution:

- (1)Parts: 1)Faucet*1; 2)Bedplate*1; 3)"0" ring*2;
- 4)Plastic washer*1; 5)Metal washer*1 6) Locking nut*1
- 7)Plastic Connector*2 8) Single-head nut*2

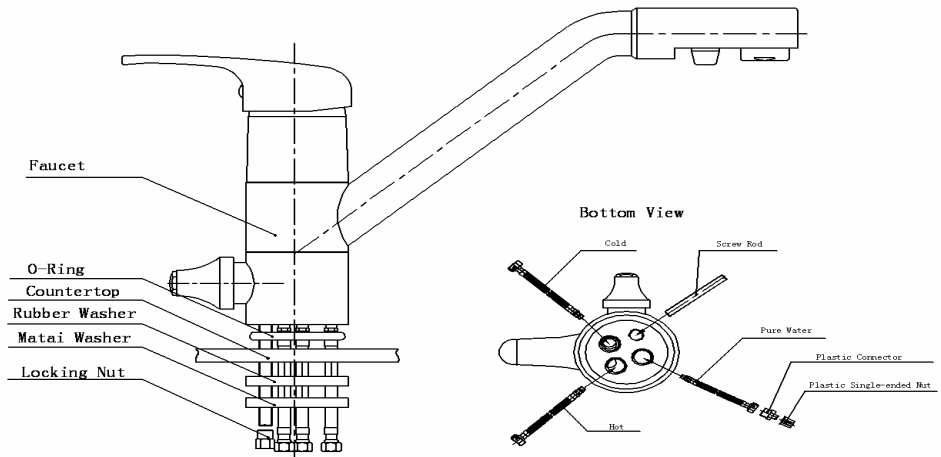


二. Technical Parameters And Related Matters:

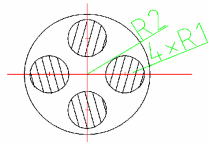
(1)Technical parameters:

Material	Weight (kg)	Type	Description	L(mm)	Norm. Pressure kg/cm2	Inlet Tube
Faucet	Faucet					
Cu	0.33	Three-way faucet	chrome plated	75	2--3	1/4"*3

(2)Installation diagram: (see photo)



(3)Parts Size:

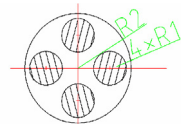


1)Bedplate:

Bedplate

Name	Material	R1 (mm)	R2 (mm)
Bedplate	PVC	70	225

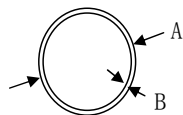
2)Plastic washer



PlasticWasher

Name	Material	R1 (mm)	R2 (mm)
Plastic washer	PVC	70	224

3)"0" ring:



Name	Material	A (mm)	B (mm)
"0" ring	NBR	224	5

(4)Packing:

Quantity of each package	N. W (Kg)	G. W (Kg)	L (mm)	W (mm)	H (mm)
8	21	24	56	46	32

Warning: Do not place in direct sunlight component.